



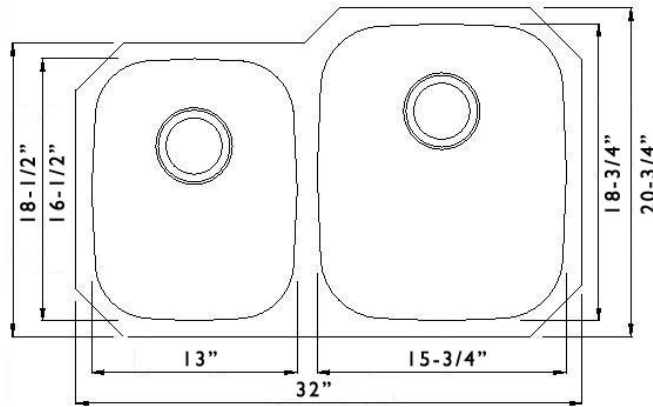
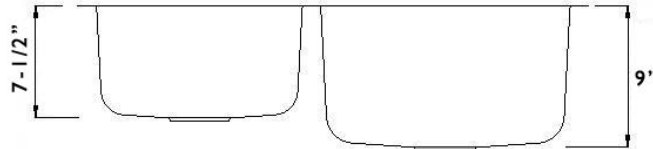
www.sonettosinks.com

Model No: **S174U**

UNDERMOUNT SINK



Model No: **S174U** DIMENSIONS



MATERIAL Stainless Steel 304 Grade 18 Gauge	CONSTRUCTION Drawn bowls welded together	SHIPPING WEIGHT (Packed) 19lb	INSTALLATION METHOD Designed to be undermounted into a counter	CABINET Minimum 36"
---	--	--	--	----------------------------------



Head Office
Tasman Sinkware Pty Ltd
51 Naweena Rd. Regency Park
South Australia, 5010, AUSTRALIA
Tasman Sinkware

North America
1230 Railroad St
Corona CA 92882
northamerica@oliverisinks.com

This model sink is
manufactured in China
to Tasman Sinkware's
specifications and quality standards