



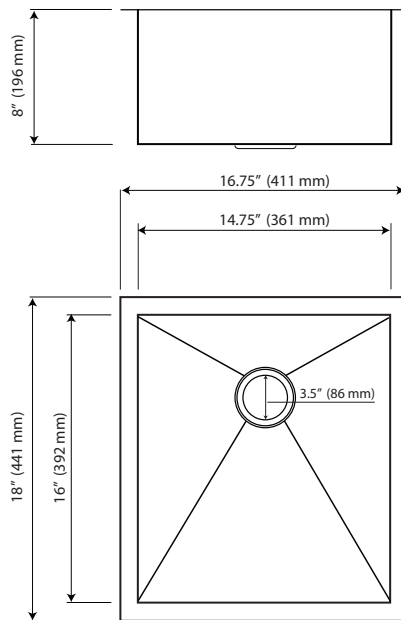
Model No:
S950U

UNDERMOUNT SINK

www.sonettosinks.com



Model No: **S950U**
DIMENSIONS



<p>MATERIAL Stainless Steel 304 Grade 18 Guage</p>	<p>CONSTRUCTION Fabricated Bowl</p>	<p>SHIPPING WEIGHT (Packed) 18lb</p>	<p>INSTALLATION METHOD Designed to be undermounted into a counter</p>	<p>CABINET Minimum 21"</p>
---	--	---	--	---



Head Office &
Manufacturing Plant
Tasman Sinkware Pty Ltd
51 Naweena Rd. Regency Park
South Australia, 5010, AUSTRALIA

Tasman Sinkware
North America
1230 Railroad St
Corona CA 92882
northamerica@oliverisinks.com

Manufactured in China
to highest quality standards